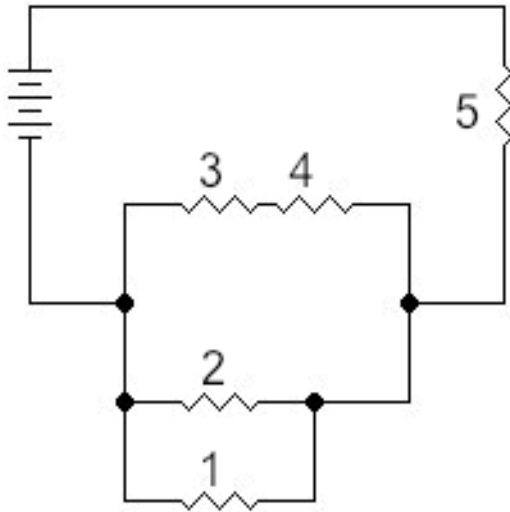


Module 7: Electricity- Electric Charge and Current

Topic 5 Application: Combination Circuits Answer Key

The circuit below has five identical resistors, each resistor is a $1\ \Omega$ resistor. The battery has $6\ \text{V}$.



For this circuit, answer the following questions:

1. Which two resistors have the same current? ***(1 and 2, 3 and 4)**
2. Which resistor has the most current? ***5**
3. Which resistor has the least current? ***3 or 4 (both have the same current)**
4. Which resistor, if removed, would stop the current flow in the circuit? ***5**